

THREE-POINT ROLLER CAMS



Roller cam for three-point latching systems with rods. Can remotely operate additional roller cams from a single handle or quarter-turn latch. Supplied with E-clips. Version A without projection is shown in the drawing.



MATERIAL

Cam: Steel, passivated

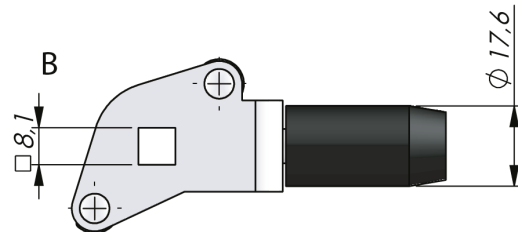
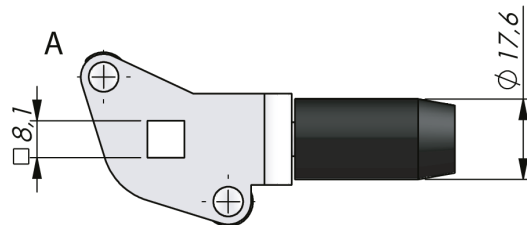
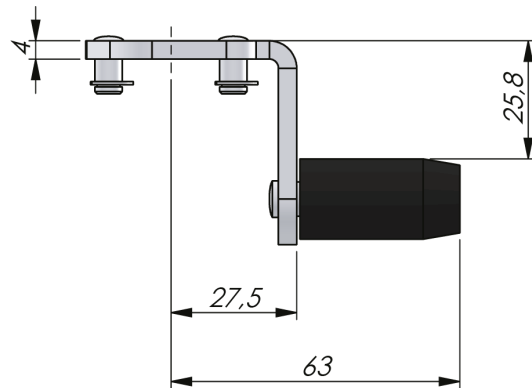
Roller: Glass fibre reinforced polyamide (PA6GF30)

Shaft and E-clip: Steel, zinc plated

RELATED PRODUCTS

Rods: 2-540, 2-541, 2-545

Use the Index Code at industrilas.com



P/N	Description	Drawing
2327S24-R	With projection	A
2327S24-UR	Without projection	A
2327S25-R	With projection	B
2327S25-UR	Without projection	B

Industrilas
— When access counts —